

 suprabeam®
| DENMARK

V3 *air* *rechargeable*

**NEW
2020**
VERSION WITH:

USB CHARGING IN THE BATTERY

450 LUMENS MAX OUTPUT

ELECTRONIC DIMMING + MEMORY



**450
LUMENS**



Li-Po
1400 mAh



210 m



148 g



10° - 70°

610.5205

KEY FEATURES / UNIQUE SELLING POINTS (USP)



SLIDING HYPERFOCUS™

The sliding Hyperfocus™ optical system collects the LED radiance and distributes it with maximum efficiency from a perfect round floodlight beam to a highly intensive, long range spot beam. Just slide the head of the lamp for the correct light setting.



USB CHARGING IN BATTERY

Our new Li-Po battery has been special built with integrated USB-charging. It offers demanding users the benefit of purchasing a second battery for being able to charge a spare battery while using the headlamp. Truly for Professionals!



SOFT FOAM PAD

The soft foam pad on the back of the lamp head gives you extra comfort on the forehead. You no longer have to worry about a sore forehead, when wearing the headlamp for longer periods of time.



ELECTRONIC DIMMING

With our Intelligent Light Control and electronic dimming you can get just the right light output you need for a given situation. Dim the light stepless from 180 down to 6 lumens simply by holding a button.



LIGHTWEIGHT BATTERYPACK

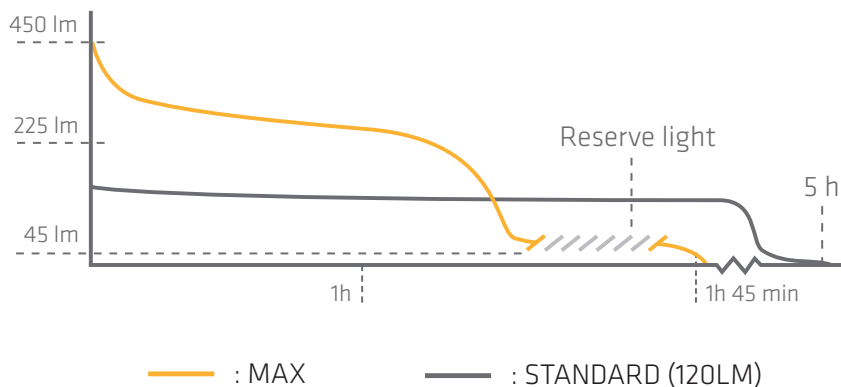
The V3air rechargeable is equipped with a minimized battery pack containing a light-weight 1400 mAh Li-Po battery. The minimum weight on the back of your head gives you maximum freedom in your everyday work.



SPLIT HEADBAND

The special split headband is designed to give you extra comfort and the silicone stripes secures an extra hold on your head or helmet. The split headband is easily and quickly adjusted with a simple task.

LIGHT CURVE AND RUNTIMES



MAX

450 LUMENS
45

1 h | 45 min

DIMMING

180 LUMENS
6

3-100 h

WHAT'S IN THE BOX

HEADLAMP



BATTERY



USB-CABLE



MANUAL



PACKAGING



PACKAGING



REUSABLE LABEL

Customs Tariff Number:	8513 1000
Packaging:	Tube
Single Box Content / Size / Weight:	1 pcs, height/diameter, 15.8 x 6.5 cm / 236 g
Master Box Content / Size / Weight:	72 pcs, 40.5 x 41 x 36 cm / 17kg
Part. No.:	610.5205
EAN-CODE:	5704049907911

SPECIFICATIONS

LED / Focus configuration:	1 CREE Power Chip / Sliding Hyperfocus™
Case Material / Surface Treatment:	Hi-Tech Plastic Compound / Aluminium
Case Color:	Black / Anthracite Dark Grey
Switch:	Metal Switch Below Head - Max, Dimmer with Memory and Transportation lock
Headband:	Split with silicone stripes, Fits to 50-70 centimeters
Weight incl. battery:	148g
Ingress Protection Rating:	Splash Waterproof IPx4
Temperature (Operation):	-20°C to +35°C



ELECTRONICS

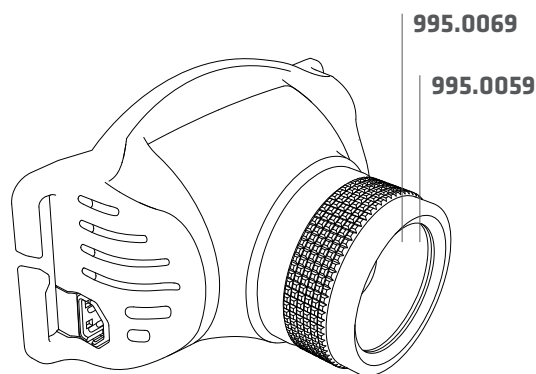
Built in Controller:	Yes, dimmable
Standard Power Source:	1 x Li-Polymer (1400 mAh) with USB
Charging time:	80% = 1 hours 50 min, 100% = 2 hours 35 min
Beam / Distance:	Variable from Spot to Floodlight / 210 Meters
Luminous Flux:	Max: 450 lm / Dim: 180-6 lm
Lighting Time:	Max: 1 h 45 min / Low Dim: 100 h
Accessories included:	Removable, Washable Headband, USB cable
Charging temperature:	-0°C to +45°C

ACCESSORIES

PRODUCT	DESCRIPTION	PARTNUMBER	WEIGHT	SINGLE BOX SIZE	EAN CODE
	Battery: Li-Polymer cell 113645 with USB (1'400 mAh)	951.022	34 g	L: 17.0 cm, W: 11.0 cm, H: 3.5 cm	5704049907621
	Color filter Set B/R/Y/G with adapter (for Q3/V3)	950.014	24 g	L: 17.0 cm, W: 11.0 cm, H: 4.5 cm	5704049901230
	Helmet: Silicone headband black	950.007	30 g	L: 17.0 cm, W: 11.0 cm, H: 4 cm	5704049901018
	Bike Helmet: Velcro Straps mount (2 pcs)	950.074	12 g	L: 17.0 cm, W: 11.0 cm, H: 1 cm	5704049905474
	Camping bulb Q3/V3 series	950.028	28 g	L: 7.0 cm, W: 6.5 cm, H: 3.5 cm	5704049901346

SPAREPARTS

PRODUCT	DESCRIPTION	PARTNUMBER	EAN CODE
	Replacement Lense for V3 series, complete	995.0059	5704049901322
	Replacement Reflector for V3 series	995.0069	5704049905016



Distributor's Stamp:

Suprabeam is manufactured by the Steiner Group and distributed worldwide by:

Steiner A/S
Dyssen 3
DK-8200 Aarhus N, Denmark

Phone: +45 87 525 212
www.suprabeam.com
info@suprabeam.com